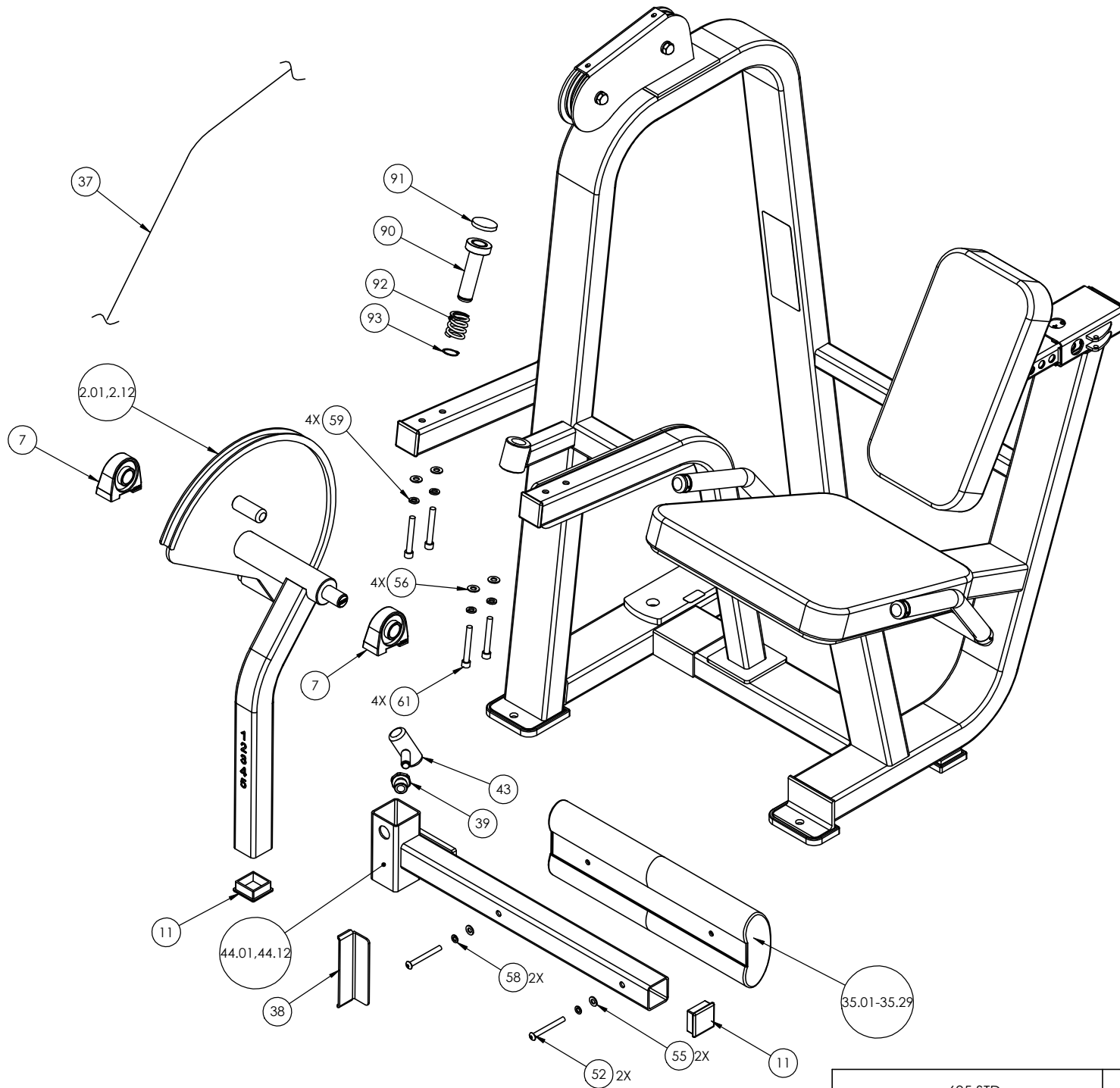
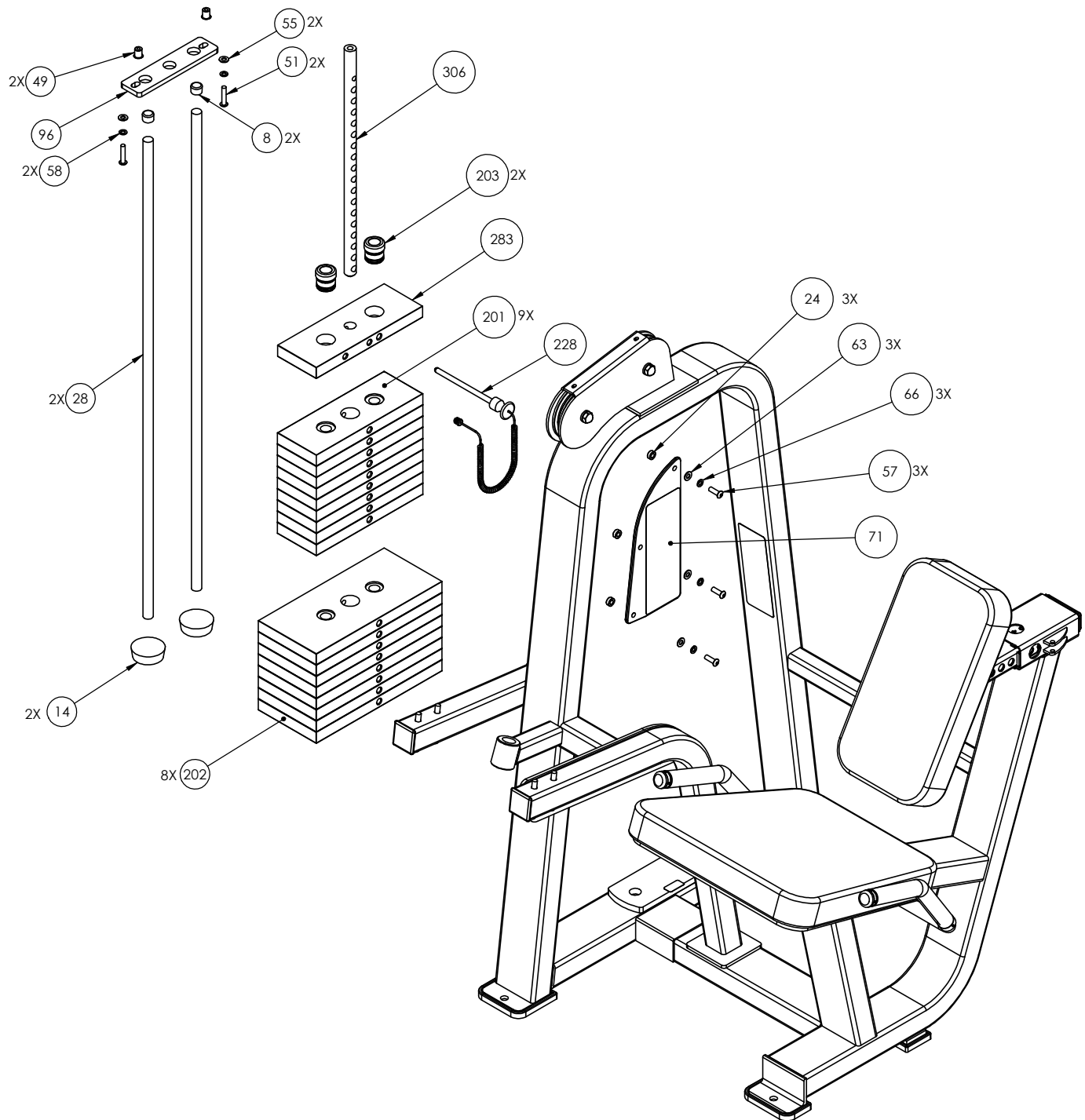


605 STD	P/N : CW31068-102	SUBREV : G
DRAWN BY : VLE	DATE : 09.09.09	SHEET 1 OF 4



605 STD	P/N : CW31068-102	SUBREV : G
DRAWN BY : VLE	DATE : 09.09.09	SHEET 3 OF 4



**SOME COMPONENTS
OMITTED FOR CLARITY**

605 STD	P/N : CW31068-102	SUBREV : G
DRAWN BY : VLE	DATE : 09.09.09	SHEET 4 OF 4

605 Leg Extension Standard

Part Number	Description	Bubble Number
CW605SA1-212	ASSY,FRAME,MAIN,ROM/STD,605,SKY WH	1.01
CW605SA2-211	ASSY,LEG LEVER,STD,605,SKY WHITE	2.01
CWAC1009-101	PULLEY, 4 1/2 DIA X 1/2 ID	6
CW12406-101	PILLOW BLOCK, BEARING, 2 BOLT	7
CW12404-101	CAP, GUIDE ROD,DIA 3/4, BLK	8
CW32460-221	ASSY, RATCHETING LEVER, BLACK	9
CW11311-102	ENDCAP, REC TUBE, 2X4, BLK PLASTIC	10
CW11311-103	ENDCAP, REC TUBE, 2X2, BLK PLASTIC	11
CW12402-101	BUMPER, ID 1.050, BLK RUBBER	14
CWGR4612-000	GRIP, RUBBER, 1.00" OD HANDLE, 12.0	19
CWAC1232-101	LABEL, ROUND, "PIVOT"	22
CW33626-902	GUIDE, THCK, TELESCOPING TUBE	23
CWAC1228-901	SPACER, ALU,.328 ID X .625 OD X .25	24
CWAC218-901	HANDLE END CAP W/SET SCREWS, DIA 1"	25
CWAC219-902	HNDL RETAINER RNG, W/SS,1.040" I.D.	26
CWPF1212-711	GUIDE ROD, 3/4 X 42 5/8 (#4), CHM	28
CW32218-712	ASSEMBLY, BACKPAD ADJUSTMENT, 9 HOL	29
CW33522-101	ASSY, CUT PIECE, ABS CHANNEL,1/8 X	31
CWGR4603-500	GRIP, RUBBER, 1.00" OD HANDLE, 3.50	32
CWPF1553-901	ANGLE,STAINLESS STEEL, 1/8 X 1 1/2	38
CWPF1980-731	T-HANDLE INSERT, BLK ZN	39
CWSA1082L-211	ASSY,HANDLE ,LT,SKY WHITE	40.01
CWSA1082R-211	ASSY,HANDLE ,RT,SKY WHITE	41.01
CW30799-731	ASSY, SPRING STOP, BLK ZN	42
CWSA1610-731	WELDMENT, T-HANDLE ADJUSTER, BLACK	43
CWSA1611-211	ASSY,LEG ADJUSTMENT,SKY WHITE	44.01
CWHCYN050-550	SCREW, HEX,BLK, 1/2-13 X 5 1/2 X 5	46
CWKADLN050-081	NUT, ACORN, 1/2-13	47
CWKAYN050-031	LOCKNUT, NYLON INSERT, HALF, UNC, 1	48
CW12537-109	NUT,INSERT,THIN-NUT,LARGE FLANGE	49
CWTAYN031-100	SCREW, BUTTON HEAD, BLK XYLAN, 5/16	50
CWTAYN031-300	SCREW, BUTTON HEAD, BLK XYLAN, 5/16	52
CWCAYN025-050	SCREW, SOCKET HEAD, BLK XYLAN, 1/4	53
CWWBKN031-007	WASHER, FLAT, TYPE A, SAE, 5/16 ID	55
CWTAYN031-100	SCREW, BUTTON HEAD, BLK XYLAN, 5/16	57
CWTAYN031-150	SCREW, BUTTON HEAD, BLK XYLAN, 5/16	58
CWWALYN031-008	WASHER, SPLIT, 5/16 ID, BL	58
CWBFNN050-250	STUD, 1/2-13 X 2 1/2	62
CWWBKN031-007	WASHER, FLAT, TYPE A, SAE, 5/16 ID	63
CWWBKN038-007	WASHER, FLAT, TYPE A, SAE, 3/8 ID	64
CWWBKN050-010	WASHER, FLAT, TYPE A, SAE, 1/2 ID X	65
CWWALYN031-008	WASHER, SPLIT, 5/16 ID, BL	66
CWWALYN038-009	WASHER, SPLIT, 3/8 ID, BLK XYLAN	67
CWWALYN050-013	WASHER, SPLIT, 1/2 ID, BLK XYLAN	68
CWCAYN038-275	SCREW, SOCKET HEAD, BLK XYLAN, 3/8	69
CW30146-101	ASSY, LABEL,INSTRUCTION,605	71
CW12634-101	SPRING, TORSION 90 DEG X 0.484 X 0.	72
CW31756-101	LABEL, PRECOR USA ICARIAN LINE	72

CW31770-742	LATCH PIVOTING PIN, CLR ZN	73
CWAMNN028-003	RING, RETAINING, 2-TURN, SPIRAL, SS	74
CW31784-731	STOP PLUG, BLK ZN	78
CWSA1120-731	WELDMENT, SPRING STOP, BLK ZN	90
CWPF1016-732	BAR,,FLAT CR/HR, 3/8 X 2 X 8 1/4, 3	96
CWAC1133-101	BUSHING, WEIGHT PLATE, LDPE PLASTIC	203
CW33870-102	ASSEMBLY, 5" WEIGHT STACK PIN & LEA	228
CW10519-721	PLATE, WEIGHT, 20 LBS, WRKL BLK	279
CW32560-101	ASSY, PLATE, WEIGHT, MED TOP (MTP-S	299
CW12401-106	LABEL, WEIGHT PLATE, 20 LBS/ 8 KG	319
CW12401-110	LABEL, WEIGHT PLATE, 30 LBS/ 13.6 K	323
CW12401-114	LABEL, WEIGHT PLATE, 40 LBS/ 18.2 K	326
CW12401-118	LABEL, WEIGHT PLATE, 50 LBS/ 22.7 K	330
CW12401-120	LABEL, WEIGHT PLATE, 60 LBS/ 27.3 K	332
CW12401-122	LABEL, WEIGHT PLATE, 70 LBS/ 31.8 K	335
CW12401-124	LABEL, WEIGHT PLATE, 80 LBS/ 36.4 K	337
CW12401-126	LABEL, WEIGHT PLATE, 90 LBS/ 40.9 K	339
CW12401-128	LABEL, WEIGHT PLATE, 100 LBS/ 45.5	341
CW12401-130	LABEL, WEIGHT PLATE, 120 LBS/ 54.6	343
CW12401-132	LABEL, WEIGHT PLATE, 140 LBS/ 63.6	345
CW12401-134	LABEL, WEIGHT PLATE, 160 LBS/ 72.7	347
CW12401-136	LABEL, WEIGHT PLATE, 180 LBS/ 81.8	349
CW12401-138	LABEL, WEIGHT PLATE, 200 LBS/ 90.9	351
CW12401-140	LABEL, WEIGHT PLATE, 220 LBS/ 100 K	353
CW12401-142	LABEL, WEIGHT PLATE, 240 LBS/ 109.1	355
CW12401-144	LABEL, WEIGHT PLATE, 260 LBS/ 118.2	357
CW33270-101	LABELS,WEIGHT STACK,260 LBS,20-260	399
CW33275-101	LABELS,WEIGHT STACK,300LBS,20-300 L	399
CW12537-109	NUT,INSERT,THIN-NUT,LARGE FLANGE	400
CWPF3143-321	SHROUD,SHEET,STEEL,4 BENDS, TITANIU	402.12
CWPF3144-721	SHROUD BRKT,PLATE,STEEL,1/8 THICK,1	403
CWPF3145-721	SHROUD BRKT,PLATE,STEEL,1/8 THICK,2	404
CWTAYN031-100	SCREW, BUTTON HEAD, BLK XYLAN, 5/16	405
CWWALYN031-008	WASHER, SPLIT, 5/16 ID, BL	406
CWWBKN031-007	WASHER, FLAT, TYPE A, SAE, 5/16 ID	407